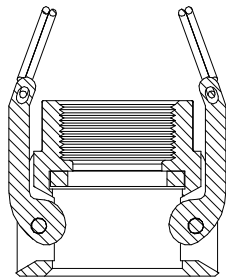
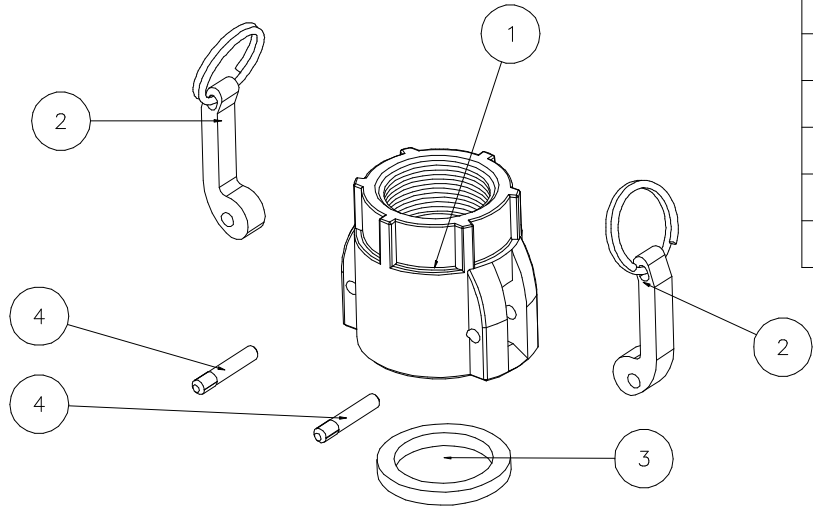
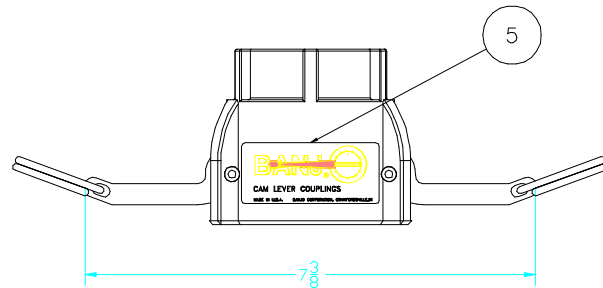
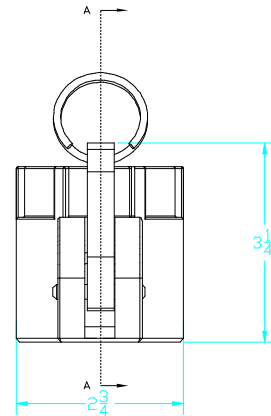
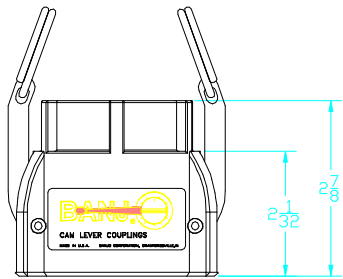


Parts list		
Item	Description	Cn
1	150XMD	1
2	150200K	2
3	150G	1
4	200P	2
5	150(200)D	1



SECTION A-A



BANJO CORPORATION
150 BANJO DR. • CRAWFORDSVILLE, IN 47933

<small> DIMENSIONS UNLESS OTHERWISE SPECIFIED DECIMALS .00 = +/- .010 DECIMALS .000 = +/- .005 FRACTIONS 1/8 = +/- 1/32 ANGLES +/- 1° </small>	<small> PART NO. TITLE 150D 1 1/2" Female Couple x FPT </small>
<small> DWG. ALR DATE 20 July 99 SCALE 1"=1" APP. DATE SHEET SIZE D </small>	<small> DWG NO. 150D REV 0 </small>
<small> BREAK ALL SHARP CORNERS 1/16" R UNLESS OTHERWISE SPECIFIED </small>	<small> SHEET: 1 OF 1 </small>